

FIG. 1.

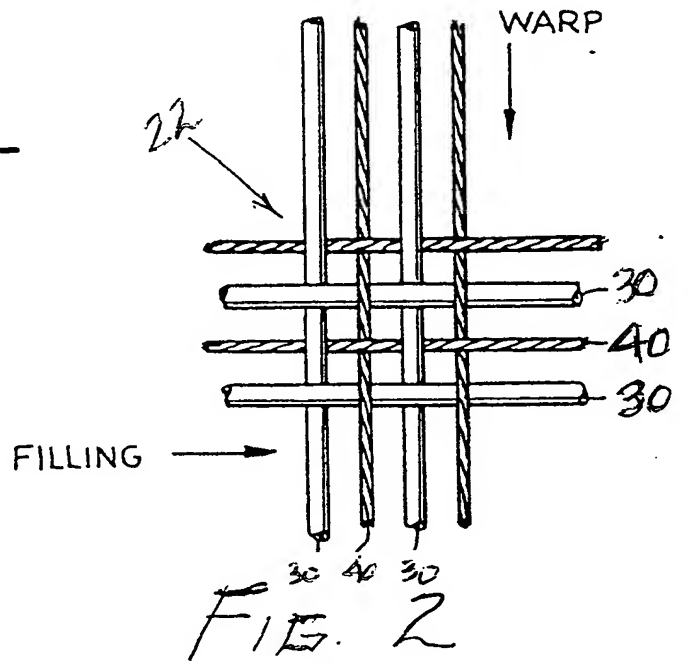


FIG. 2

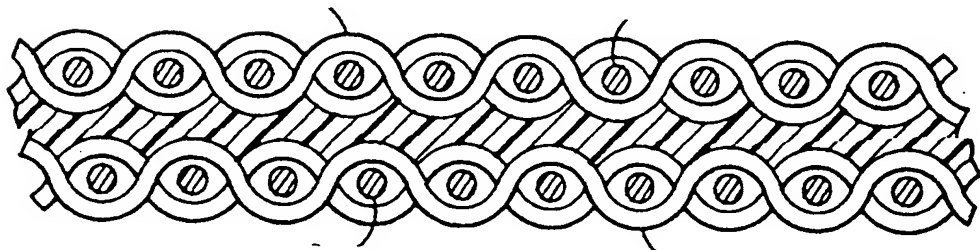


FIG 3

This drawing is a reproduction of a drawing made by hand and is not intended to be a precise representation of the invention.